

Specification Sheet

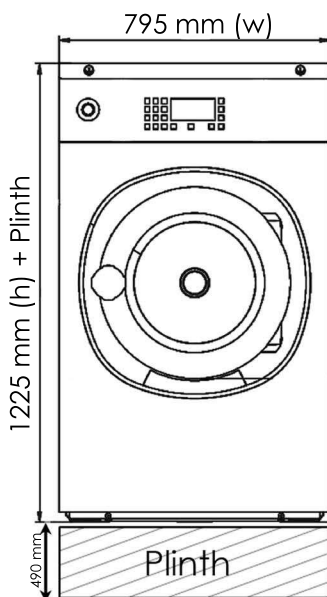
IY135E Industrial Washer



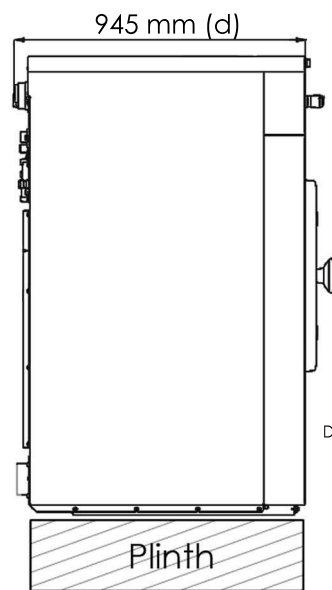
IY135E

| | |
|------------------------------|----------------------------------------------------------------|
| Capacity (Dry) | 14 kg |
| Volume | 135 L |
| Spin Type | High Spin |
| Door Opening | Ø 410 mm |
| Net Weight | 255 kg |
| Electrical Recommendations | 20 Amp – 415 Volt – 3-phase Isolating Switch at 1.8m off floor |
| Water Recommendations (Hot) | 1x Standard 19mm Washing Machine Tap |
| Water Recommendations (Cold) | 2x Standard 19mm Washing Machine Tap |
| Water Pressure | Minimum = 44PSI (3 Bar), Maximum = 72PSI (5 Bar) |
| Drain | Ø 76mm through floor |
| Foundations | Minimum 100mm M20 Grade Concrete Foundation |
| Optional Plinth | 490 mm (height) 6 mm (thickness) Ø 16 mm (bolt hole) |

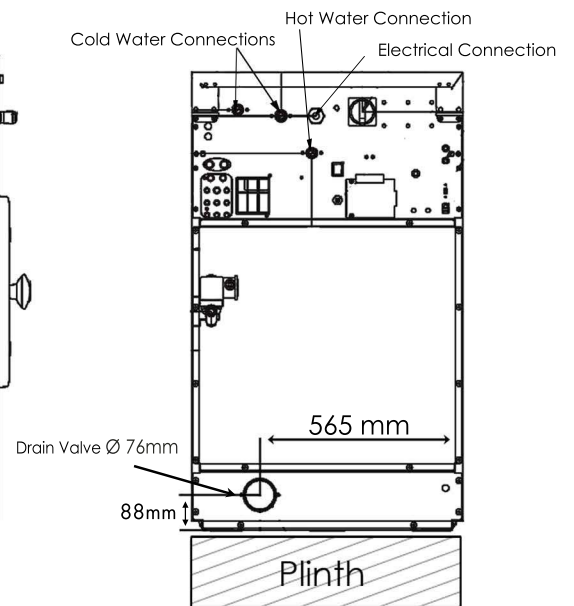
IY135E



FRONT



SIDE



BACK