

Specification Sheet

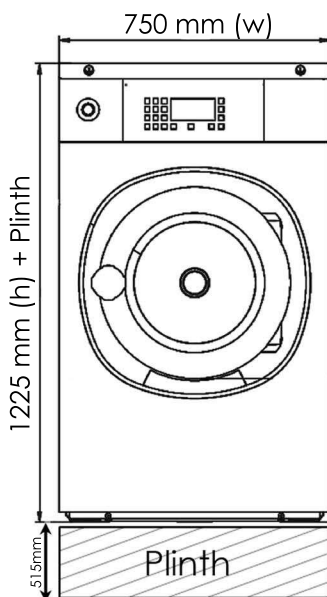
IA105ES Industrial Washer



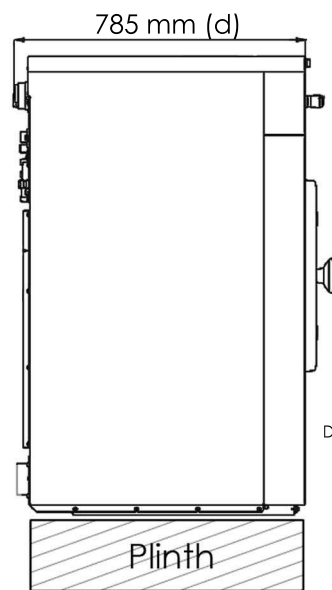
IA105ES

Capacity (Dry)	11 kg
Volume	105 L
Drum Type	Sluice Drum
Door Opening	Ø 410 mm
Net Weight	170 kg
Electrical Recommendations	20 Amp – 415 Volt – 3-phase at Isolating Switch 1.8m off floor
Water Recommendations (Hot)	1x Standard 19mm Washing Machine Tap
Water Recommendations (Cold)	2x Standard 19mm Washing Machine Tap
Water Pressure	Minimum = 44PSI (3 Bar), Maximum = 72PSI (5 Bar)
Drain	Ø 76mm through floor
Foundations	Minimum 100mm M20 Grade Concrete Foundation
Optional Plinth	515 mm (height) 6 mm (thickness) Ø 25 mm (bolt hole)

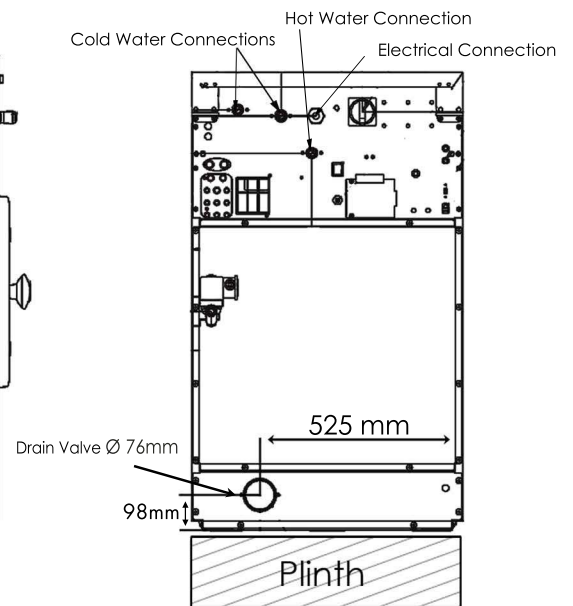
IA105ES



FRONT



SIDE



BACK