

Specification Sheet

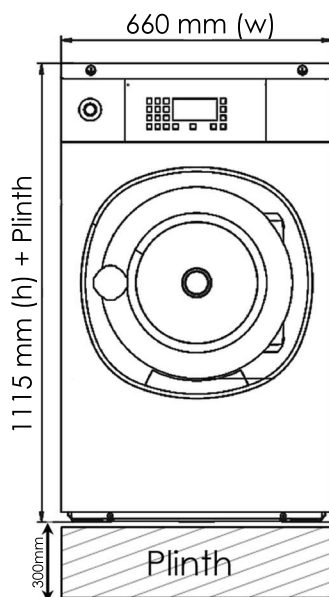
IA80C Coin Operated Washer



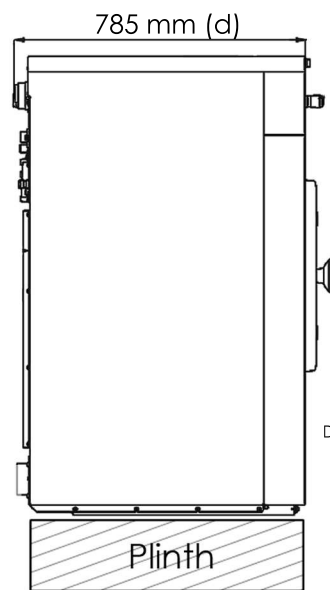
IA80C

Capacity (Dry)	7.5 kg
Volume	75 L
Drum Diameter	530 mm
Door Opening	Ø 330 mm
Net Weight	135 kg
Electricity	240 Volt – 50Hz – 0.6 kW (3.2 Amps)
Electrical Recommendations	20 Amp Individual Circuit Required
Water Recommendations (Hot)	1x Standard 19mm Washing Machine Tap
Water Recommendations (Cold)	1x Standard 19mm Washing Machine Tap
Water Pressure	Minimum = 44PSI (3 Bar), Maximum = 72PSI (5 Bar)
Drain Valver Outer	Ø 76mm
Foundations	Minimum 100mm M20 Grade Concrete Foundation
Optional Plinth	300 mm (height) 6 mm (thickness) Ø 25 mm (bolt hole)

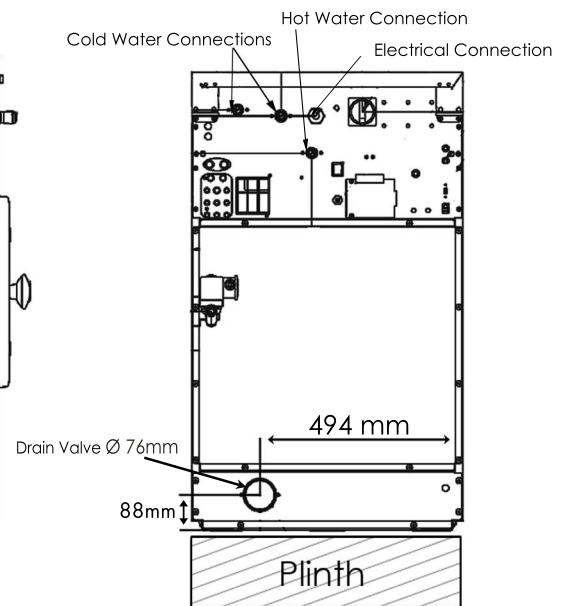
IA80c



FRONT



SIDE



BACK