

# Specification Sheet

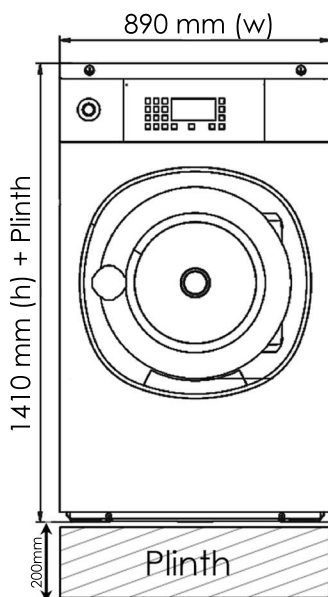
## IA180C Coin Operated Washer



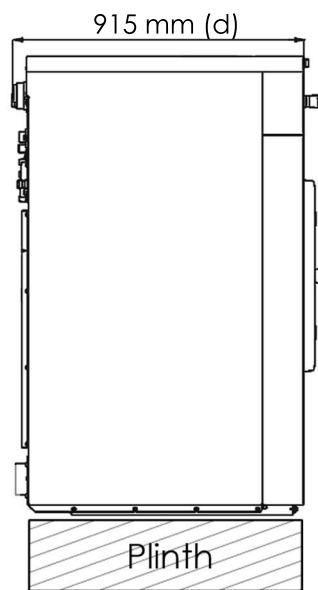
### IA180C

Capacity (Dry)	18 kg
Volume	180 L
Drum Diameter	750 mm
Door Opening	Ø 460 mm
Net Weight	255 kg
Electricity	240 Volt – 50hZ – 0.85 kW (4.5 Amps)
Electrical Recommendations	20 Amp Individual Circuit Required
Water Recommendations (Hot)	1x Standard 19mm Washing Machine Tap
Water Recommendations (Cold)	1x Standard 19mm Washing Machine Tap
Water Pressure	Minimum = 44PSI (3 Bar), Maximum = 72PSI (5 Bar)
Drain Valver Outer	Ø 76mm
Foundations	Minimum 100mm M20 Grade Concrete Foundation
Optional Plinth	200 mm (height)   6 mm (thickness)   Ø 25 mm (bolt hole)

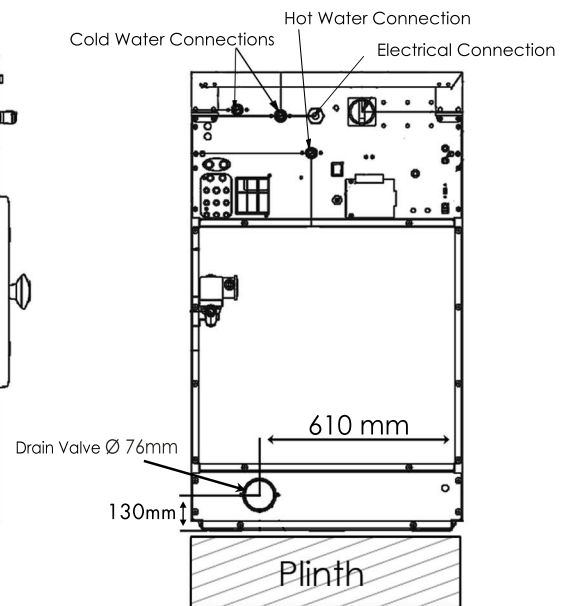
IA180C



FRONT



SIDE



BACK